

TwistPort Adaptors TP-ADAPTOR-EPMP



Kode : TP-ADAPTOR-EPMP
Kategori : RF Elements
Harga : Rp 520.000,00

TwistPort Adaptor for Cambium Networks ePMP1000 radios allows easy integration with ePMP1000 AP and CSM radios. The TwistPort Adaptor uses special coaxial connectors without threads, so the installation of the radio is effortless. Simply slide the radio into the adaptor until you hear “click”. To unlock, press the button and slide the radio out.

Paket ini hanya BOX Enclosure only, Tidak termasuk Antenna

TwistPort Adaptors TP-ADAPTOR-EPMP

The TwistPort Adaptor for ePMP™ 1000 AP and CSM makes the ePMP™1000 series compatible with all TwistPort™ Antennas. TwistPort™ Adaptors are equipped with our original quick-locking waveguide port. Connecting and disconnecting the ePMP™ 1000 AP or CSM into the TwistPort™ Adaptor is very simple and requires no tools.





COMPATIBLE WIRELESS PLATFORMS :

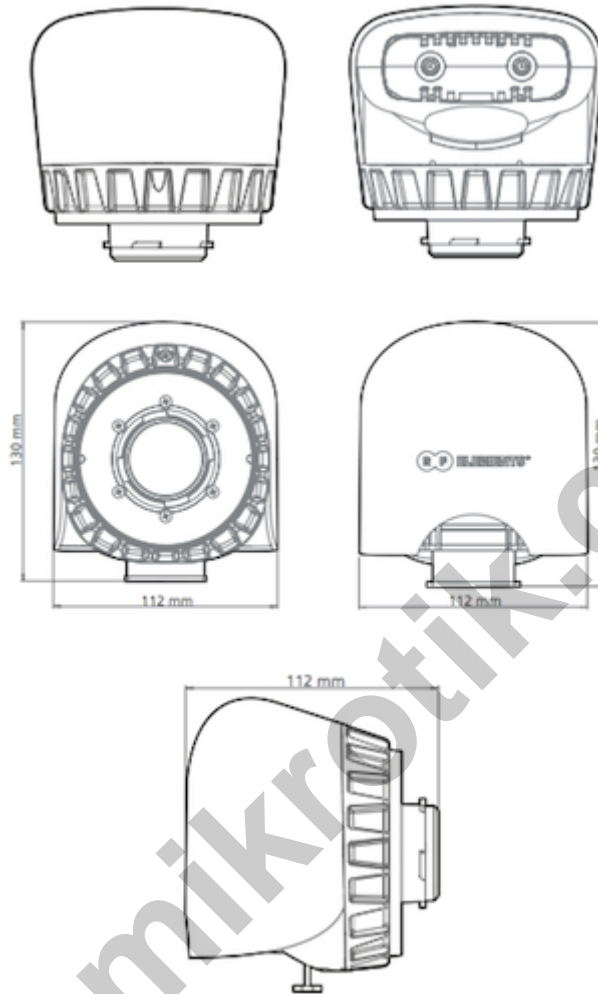
RF elements® any Symmetrical Horn TP Antenna, any UltraDish™ TP Antenna
Cambium Networks™ ePMP™ 1000 AP, ePMP™ 1000 CSM

PACKAGE CONTENTS :

TwistPort™ Adaptor

TECHNICAL DATA

Antenna Connection : TwistPort™ - Quick Locking Waveguide Port
Radio Connection : 2x Slide-On RP-SMA
Materials : Insert - Aluminium Alloy
Adaptor - UV stabilized and weather resistant ABS plastic
Flame Rating : UL 94 HB
Temperature : -40°C to +60°C (-40°F to +140°F)
Wind Survival : 160 km/hour
Weight : 0.6 Kg – single unit incl. package
Single Unit Retail Box : Retail Box: 13 x 12 x 13.5 cm



* Harga, spesifikasi, dan ketersediaan bisa berubah dan tidak mengikat

URL : http://www.mikrotik.co.id/produk_lihat.php?id=562

Informasi lebih lanjut, pemesanan dan pembelian, hubungi: 0274-554444 atau email info@mikrotik.co.id