

Symmetrical Horn SH-TP 5-90



Kode : SH-TP 5-90
Kategori : RF Elements
Harga : Rp 1.390.000,00

Symmetrical Sectors are scalar horn antennas with symmetrical beam radiation pattern and industry changing TwistPort™ connector. Symmetrical Sectors offer perfect blend of features that solve the major weak points of current mainstream Sector antenna technology.

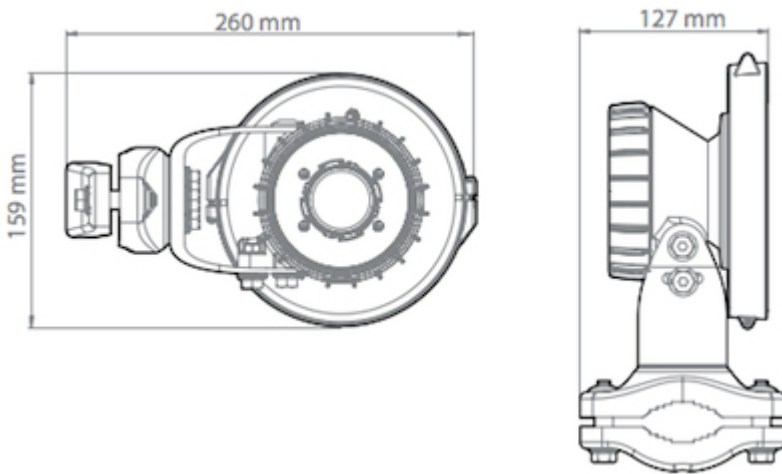
Paket ini hanya Antenna only, Tidak termasuk Routerboard dan Box Enclosure

2,9 x 16 mm lock Screw 1pcs



TECHNICAL DATA

Antenna Connection	: TwistPort™ - Quick Locking Waveguide Port
Antenna Type	: Horn
Materials	: UV Resistant ABS Plastic, Polycarbonate, Polypropylene, Aluminium, Stainless Steel
Environmental	: IP55
Pole Mounting Diameter	: 15-86 mm
Temperature	: -30°C to +55°C (-22°F to +131°F)
Wind Survival	: 160 km/hour
Mechanical Tilt	: ± 25°
Weight	: 1.9 Kg / 4.2 lbs – single unit incl. package
Single Unit Retail Box	: 16.5 x 19 x 31.5 cm



PERFORMANCE

Gain Max	: 10 dBi
Gain Typical	: 9.8 dBi
Azimuth Beam Width	: -3 dB H 67° / V 67°
Elevation Beam Width	: -3 dB H 67° / V 67°
Azimuth Beam Width	: -6 dB H 90° / V 90°
Elevation Beam Width	: -6 dB H 90° / V 90°
Front-to-Back Ratio	: 28 dB

* Harga, spesifikasi, dan ketersediaan bisa berubah dan tidak mengikat URL : http://www.mikrotik.co.id/produk_lihat.php?id=521 Informasi lebih lanjut, pemesanan dan pembelian, hubungi: 0274-554444 atau email info@mikrotik.co.id