

## StationBox® Mikro with 2.4GHz 9dBi MiMo antenna



**Kode** : RF-SBM-2N  
**Kategori** : RF Elements  
**Harga** : Rp 280.000,00

RF elements presents StationBox® Mikro, the smartest outdoor enclosure for RB711, RB411 with integrated 2.4Ghz 9 dBi MiMo antenna. (Tidak termasuk RouterBoard dan kabel pigtail, harus dibeli terpisah)

StationBox® Mikro was designed to combine performance, functionality and aesthetics. The result is revolutionary. You do not need to create own panels, nor fittings for boards or antennas. Just plug the pigtails, insert the board and go! It has never been that simple!

### Easy Installation Without Tools

No tools are needed for board installation. Inserting the base panel into the top cover and closing the bottom cover is tool-less as well. Main body parts are secured by Auto-Lock System, that protects the box against coaccidental disassembly. With deployment time from carton box to pole below two minutes, your operations can be fast, smooth and cost effective as never before.

### Unlimited Mounting Versatility

StationBox® Mikro enables excellent mounting versatility. Its standard holder is compatible with NanoBracket™ Universal, one of the most advanced CPE mounts on the market. StationBox Mikro holder is also compatible with Ubiquiti Networks™ Rocket mounting base. Check also for other dimensions to ensure StationBox® Mikro will fit third party mount!

### Weather Resistant Design

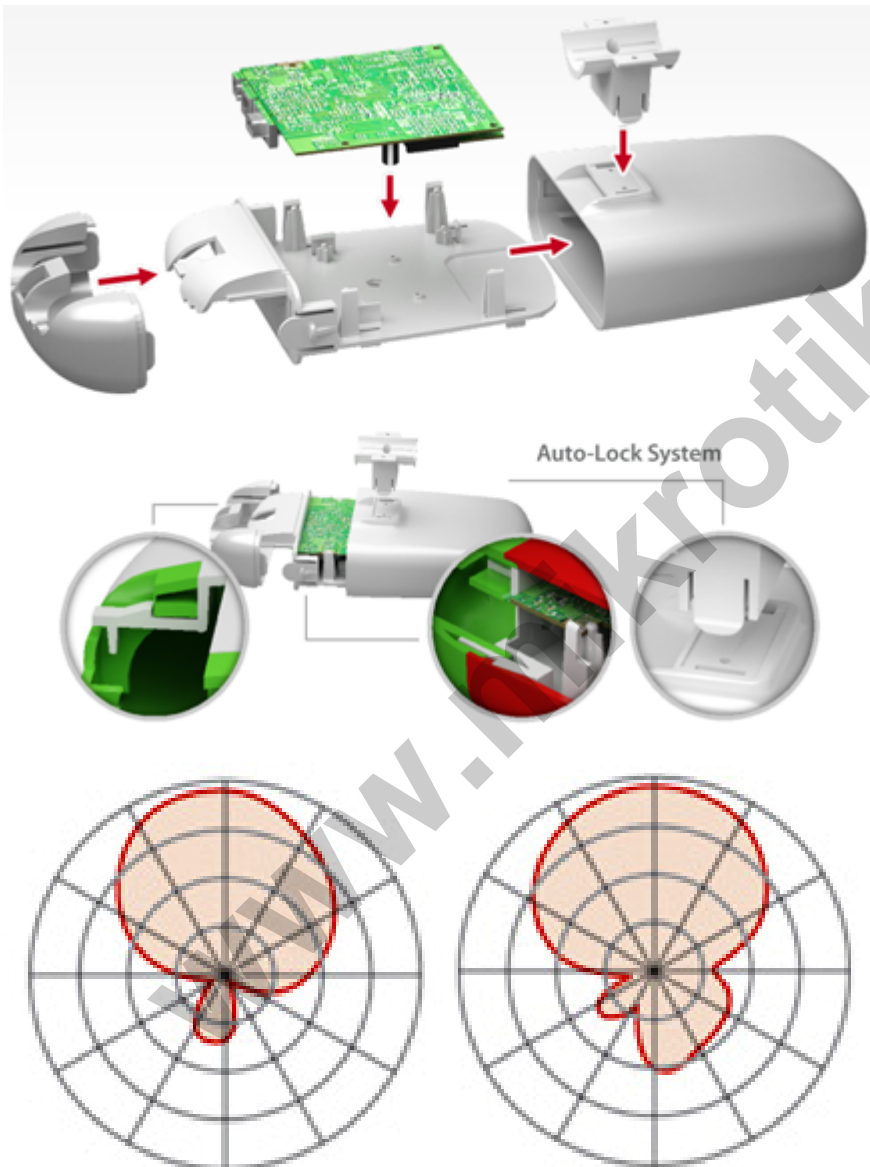
StationBox® Mikro was designed to be placed in general outdoor environment and to resist weather impacts. StationBox® Mikro is built from high resistant UV stabilized ABS plastic. One-piece cover ensures the natural water resistance, while the enclosure is allowed to “breathe” – exchange hot air with environment and leak humidity in form of condensed drops of water.

### Detail Barang:

- 1 StationBox Mikro Enclosure
- 1 2.4Ghz Flat-Panel Antenna (Mounted Inside Enclosure)
- 1 Mounting Bracket
- 2 Tiewrap

### Spesifikasi Antenna:

2.4 GHz - 9 dBi MiMo dual polarization antenna  
Freq. range: 2412–2472 MHz  
Beam angle: 58°/61°  
VSWR: ≤1,5



**Petunjuk Instalasi:**

<http://www.rfelements.com/download/InstallationGuide-SBXMikro.pdf>

\* Harga, spesifikasi, dan ketersediaan bisa berubah dan tidak mengikat

URL : [http://www.mikrotik.co.id/produk\\_lihat.php?id=303](http://www.mikrotik.co.id/produk_lihat.php?id=303)



**MIKROTIK INDONESIA**  
CITRAWEB SOLUSI TEKNOLOGI  
www.mikrotik.id  
info@mikrotik.co.id

Informasi lebih lanjut, pemesanan dan pembelian, hubungi: 0274-554444 atau email [info@mikrotik.co.id](mailto:info@mikrotik.co.id)

[www.mikrotik.co.id](http://www.mikrotik.co.id)